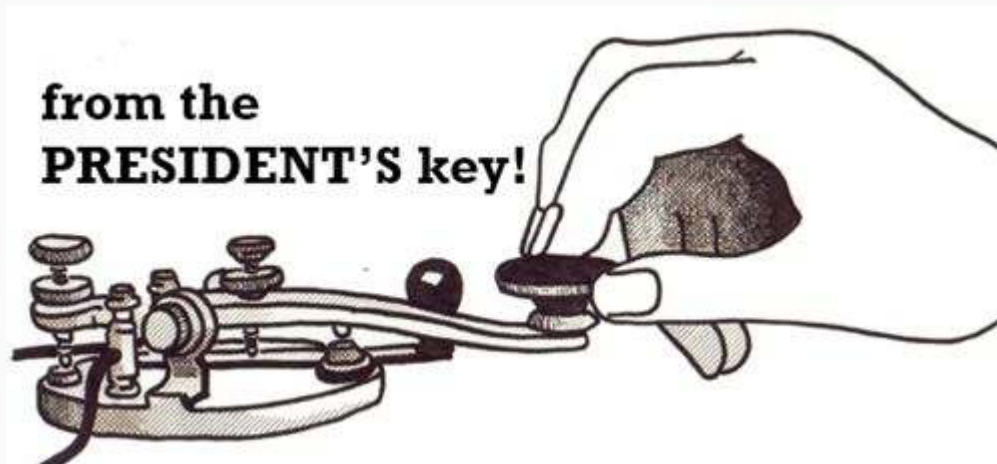




JUNE 2020 WWW.K7ID.ORG PO Box 1765, Hayden, ID 83835-1765



Our KARS Field Day is our next big event! June 27-28 at Majestic Park in Rathdrum will again be our meeting place to join in the fun with thousands of hams all across the country vying for precious contacts and QSOs from remote locations. Due to virus constraints, some hams will be operating from home this year, but the fun is really in trying out the various radios and antennas available at Field Day. We had a BLAST last year and with the resurgence of ham radio during our latest social challenge, Field Day promises to be even more exciting this year! You REALLY don't want to miss this!!! It is **THIS MONTH!!!**



As our state is slowly returning to "normal" (whatever THAT was...) we are beginning to see signs of life returning to a troublesome series of events involving relationships and "getting together." I have several "coffee dates" and a liver dinner (yum!) with radio friends, all waiting to feel released enough to return to what we know and enjoy!

Not meeting for 3 months has certainly taken a toll on our club's activities and especially the testing for higher licenses. Even ARRL was closed and would not process new licenses, not to mention the concerns and frustrations of where to meet and how to arrange testing, but... we are getting through it and will be back to a regular regimen soon. The 4th of July Parade in both Post Falls and CDA has been cancelled this year so no KARS float... a BIG disappointment for me! What an opportunity for club visibility!

KARS first big event for this spring/summer is, of course, our July 13 meeting back at the Search and Rescue Building with a wonderful presentation by Ed Stuckey on "Transformers". It will transform your life! Field Day is June 27-28 in Rathdrum as mentioned several places within this newsletter. If you signed up to help with Field Day, I will be contacting you via email with details. If you want to help but didn't sign up, write me or just show up! We had a great time setting up last year!

July 18 is our Outdoor "Field HamFest" located in the 2.5-acre empty field next-door to my house at 2130 N Meyer Rd, Post Falls. The closure of our regular meeting places forced us to go outside! PLENTY of parking and easy load/ unload. No sprinklers coming on at 0600 like last year! Hi hi! Field HamFest will open 0700 for vendors/ sellers and sales will run 0900-1400 on that Saturday and will include those fabulous BIG FAT Breakfast Burritos again as well as a delicious BBQ lunch. We will have booths and tailgater spaces

available so you can both sell and find those treasures you have been wanting to move or acquire. An HF radio will be connected to my Beam Yagi so you can get on the air too! The field is amazingly flat, restrooms available and shady trees. Great visibility from Meyer Road and even a "test station" you can verify the working order of the gonkulator to insure proper operation. We had a ball last year and this year will be even better!

There is a wonderful **Grand Prize** in development too but if you have a desirable and in good-shape item you'd like to donate to the drawings, please feel free to let us know or bring it to the July meeting. Helping new hams get set up is always the right thing to do. We hope to have enough donated items to have a drawing every 30 minutes during Field HamFest. More about Field HamFest coming soon! **This is our ONE fund-raising event for the YEAR!** Don't be a "Cheap Ham!" Come support the repeaters and your club! We need you!

Questions about any of this stuff can be found on the K7ID.org website or by writing me. I am ALWAYS interested in what you think! If we have not met yet... let's fix that! See you at our July 13, 2020 meeting...finally!

73,

Frank Krug, KD7FK
president@K7ID.org



Kootenai Amateur Radio Society (KARS)

No May meeting occurred (again...unfortunately) so there are no minutes to report. Watch for this section to soon be populated!

The KARS Executive Board did meet to discuss Field Day 2020 (held June 27-28 at Majestic Park, Rathdrum) as well as "Field HamFest" to be held July 18, 2020) in an open field outdoors this year. Much discussion and planning happened, and we will be enjoying a unique radio experience outdoors. We will even have an HF radio (with a control operator to keep us legal) hooked to a beam antenna for those interested in exploring the world with HF! Fun for all! Technicians and CW ops are encouraged to demonstrate their skills with this setup! DO NOT miss "Field HamFest this year! More details to come. Reserve your tables/ tailgate spaces now!





KARS 2020

Kootenai Amateur Radio Society

OUTDOOR HAMFEST

July 18, 2020

PRE-ANNOUNCEMENT

In the field next to

2130 N Meyer Rd, Post Falls, ID 83854

Near Meyer Ave. and Poleline Rd.



**Plenty of
room for
vendors and
tailgaters!**

**Mark your
calendars and
be ready for
more
information!**





by Larry Telles, K6SPP

Spotlight this Month is on:
Bob Kesson, K7CGA



Bob's interest in Ham Radio started with a family member, his grandfather. He was an electrician who worked for the Port of Los Angeles. This introduction and a Novice course by Gordon West in his upstairs apartment in Hollywood. This took place in 1964. His Novice call was WN6OZJ.

To this day Bob remembers his first CW contact. Bob worked a Ham in Badass, Michigan. He definitely remembers it because he asked the Ham in Michigan to repeat the spelling of his location. After four tries, Bob finally came to the conclusion, that it was the name of the town. At the time he thought he had copied it wrong. Since that time, Bob hasn't had a QSO with anyone in that town.

Bob likes 20 and 40 meters. It's DX on 20 and a little chit-chat on 40. He followed that up with the fact that he doesn't do much in the area of rag chewing, but once in a while gets on to see what's going on.

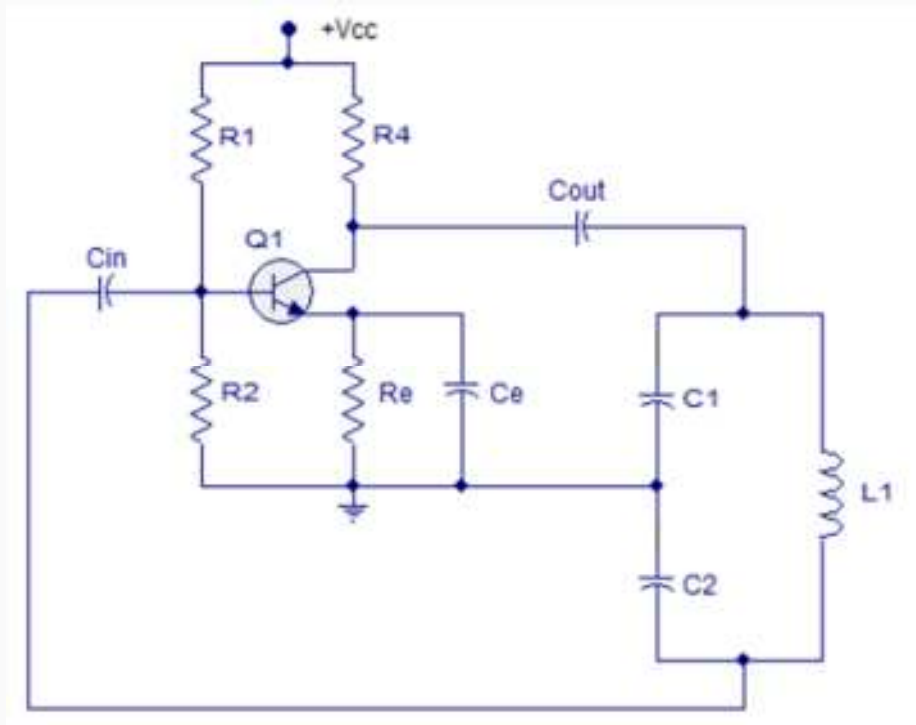
When asked what he likes best about Ham Radio he didn't hesitate. Friendships you make! This includes both in person and on the air. Bob has been rolling up his sleeves and volunteering since 1973. It's something he loves to do.

The picture below is Bob's new hex-beam antenna with a 40M add-on. This antenna will work 6-40M when Bob can get his new tower up. To mow the backyard for now, Bob's wife Bonnie (the human rotator) has to stand in the middle of the mast and rotate the antenna as Bob mows the grass. Teamwork gets the jobs done!



CONSTITUTION AND BY LAWS UPDATE

Several months ago, our radio club sought to review and update our club Constitution and By-Laws as is spelled out in the Constitution. A team was selected to review and suggest possible changes. This massive work was undertaken and the three committee members of the "Constitution Review Committee" worked tirelessly, going word-by-word to clarify and update our document to the best of their abilities. They presented their draft to the Board of Directors for comment and approval over the ZOOM platform and with minor changes and clarifications and it was accepted unanimously. We now have the revised KARS Constitution and By Laws to present to the membership for their vote of acceptance. This revision will be posted on the K7ID website as well as in the July newsletter next month for one month. The plan is the membership will have time to read it vote to accept or reject the revised Constitution and By Laws at the August 10, 2020 regular meeting of KARS. Watch for this document...it is amazing! VERY special thanks goes out to Ed Stuckey, AI7H, Kathy Kent, KI7OVA and Sheila Waller, KG7SAA for their tireless efforts to strengthen and solidify the founding documents of our radio club! We ALL owe them a great deal of appreciation!



What Am I?

First one to respond with the correct answer wins a bag of KARS Trail Mix and Honorable Mention at the July Meeting. Send your email response to president@K7ID.org. If you won before, please give another the chance to win!

Honorable Mention to Bob Hallock, K7TM for correctly identifying last month's "What Am I" as the rotary potentiometer inside a HAM-4 tower rotator motor which gives the signal to display the direction the antenna is pointing!

K7ID REPEATER!!!

No... your eyes are not failing you. I am repeating the repeater message to insure we all get another opportunity to join the fun!

Why not repeat a repeater message?

Have you ever been to a repeater? We have 4! Would you like to go? We are required to keep the repeater areas free from weeds and debris. We can sure use some assistance keeping our end of the bargain. This affords an opportunity to see the repeater and help your club out at the same time! When you transmit again, you will have that picture in your mind of that repeater and knowing you helped keep it on the air. You might even get your picture in the newsletter! Contact me to get on the team. Not much work, lots of fun and great memories! Drop me a note! Schedule to be determined after we get back to "normal". Thanks in advance!

Frank, KD7FK, president@K7ID.org



NEW KARS BOARD FOR 2021

This November, we will be electing new members of the KARS Executive Board. Positions are: President, Vice-President, Executive Director, Treasurer and Secretary. Our club has a rich history dating back to 1952. Dedicated and talented people have held every one of these positions, but it is time to change hands on the plow. New blood brings new energy and ideas. Sure, it is a challenge, but what in life worth anything is NOT a challenge? I will remain on the Board as "Past-President" and will assist in any way possible...but we need new hams to help out. Please be thinking about what capacity in which you might serve. It is thrilling to be a part of a vibrant club! At our August meeting, we will begin receiving decisions to run for a position. DO NOT be afraid to do this...it is one of the most rewarding things we can do in radio and keeps our club healthy as we move on into the future.



[Download a KARS Membership Application HERE](#)

2020 CLUB OFFICERS

President: Frank Krug, KD7FK president@k7id.org	Repeater Trustee: Larry Telles, K6SPP trustee@k7id.org
Vice-President: Jerry Hart, W7KR vicepresident@k7id.org	Repeater Tech: Dale DuRee, KE7VMN
Exec. Director: Tom Macy, W7UAT execdir@k7id.org	Webmaster: Lenny Gemar, N7MOT 208 691-4735 webmaster@k7id.org
Secretary: Sheila Waller, KG7SAA secretary@k7id.org	Past President: Larry Telles, K6SPP pastpresident@k7id.org
Treasurer: Rod Anderson, K7ZBE treasurer@k7id.org	

DIRECTIONS TO KARS MEETING

Take U.S. Highway 95 to Miles Avenue (Miles is about 1 mile North of Hayden Avenue). Instead of proceeding west from the corner of Miles and Ramsey, go north about ¼ mile, to the first building on the left (West) side of the road.

Notice

Propagation is published monthly by the Kootenai Amateur Radio Society (KARS). The club is located in Coeur d'Alene, Idaho and serves the North Idaho and the Spokane, Washington areas.

All opinions expressed in this newsletter are those of the individual contributors and not the radio club as a whole.

KARS operates voice repeaters on 146.780 (Little Blacktail), 146.980 (Idaho Mica Peak) and 443.975 (Canfield Mountain), and a packet repeater on 145.510 Mhz.

Anyone interested in Amateur Radio is welcome to join. Dues are \$15.00 (individual) and \$23.00 for a family membership. Contact the treasurer if you wish to join.

If you know of anyone interested in joining KARS, you can notify the newsletter editor as to that parties' email address. A copy of this newsletter will be sent with no obligation to join.

Material can be submitted for publication in Propagation. The deadline for articles, etc., is the 25th of each month for the following month's issue.

Future Meeting Information

Starting next month in July, our regular club meeting will resume at the Search and Rescue Building, 10865 North Ramsey Road, Hayden ID at 1900 (7pm). VE Testing will be again offered at 1730 (5:30pm) at the same location prior to the meeting. We will resume meeting the 2nd Monday of every month.

Click on the Facebook or Website links below to see our active pages!



Copyright © 2020 KARS, All rights reserved.